

BLANCO

■ Performance First

1 BEFORE USING THE APPLIANCE

1.1 SAFETY INSTRUCTIONS

Norms and regulations to be respected

- The dishwasher may only be used to clean household dishes. If the appliance is used for other purposes or in a wrong manner, the manufacturer declines all responsibilities for possible damages.
- For safety reasons, no modifications must be carried out on the appliance.
- Before connecting the appliance to the electric power supply system, check that the power supply at the place of installation is compatible with the electric data indicated on the data tag.
- The installation must be carried out by qualified personnel.

Before running the appliance for the first time

- Make sure the dishwasher was not damaged during transport. Do not hook up the appliance if there is any damage. In case of damage, contact the vendor.

For the safety of children

- The appliance is not intended for use by young children or infirm persons without supervision. Young children should be supervised to ensure that they do not play with the appliance.



WARNING: DISHWASHER DETERGENTS ARE STRONGLY ALKALINE. THEY CAN BE EXTREMELY DANGEROUS IF SWALLOWED. AVOID CONTACT WITH SKIN AND EYES AND KEEP CHILDREN AWAY FROM THE DISHWASHER WHEN THE DOOR IS OPEN. CHECK THAT THE DETERGENT RECEPTACLE IS EMPTY AFTER COMPLETION OF THE WASH CYCLE.

These dishwashers should therefore be kept outside the reach of children

- The water in the dishwasher is not drinkable. Any residues of detergent in the appliance constitute a source of danger for children. They must therefore be kept away from the open dishwasher.

Daily use

- Do not turn on the dishwasher if the electric cable, or the water supply or water drainage pipes are damaged, or if the control board, the work surface or the base are in very bad condition.
- In case of a malfunction, shut off the water supply, then turn off the appliance and pull the electric plug from the outlet. If there is a permanent electric connection, turn off the service switch (if present) or remove the fuse (or fuses).
- To remove the plug from the electric outlet, hold the plug itself and pull; never pull the cable.
- All repairs of the dishwasher must be carried out by specialised personnel. Inappropriate repairs can create a severe danger for the user. For repairs, you should therefore contact our technical customer assistance service or a specialised vendor.
- The replacement of the supply cable must be carried out only by the technical service staff.
- If the pipes and tubes are deteriorated, substitute them with new original parts before hooking up the appliance.
- Do not use detergent substances that could lead to an explosion.
- Do not sit or lean on the open door. The appliance might otherwise tilt over.
- Before adding special dishwasher salt, detergent and rinse aid, make sure that the manufacturer of these substances recommends their use for household dishwashers.
- Always shut off the water supply when the dishwasher is not in use for longer periods of time, e.g., during your vacations.

2 UNPACKING - DISPOSAL

2.1 UNPACKING

Remove the external plastic packaging material, the corner re-enforcements, and the styrofoam base. Open the door and remove the styrofoam blocks from the inside baskets.

Collect and recycle the packaging materials. This will preserve primary materials and help reduce the amount of waste.

Take the packaging materials to specialised recycling centres .

When the appliance eventually has to be disposed of, it should be made non-functional before eliminating it.



Attention! Some packaging materials (e.g., plastic bags, styrofoam) can be dangerous for children. Children should therefore be kept away from them.

2.2 FINAL DISPOSAL OF APPLIANCE

At the end of its life span, the appliance must be eliminated by a specialised company, respecting all existing laws and regulations.

This will make it possible to dispose of the old appliance while at the same time recuperating and sorting synthetic materials that are fit for recycling, thus contributing to the protection of the environment.

3 GENERAL ADVICE

3.1 WASHING DISHES IN AN ECONOMIC AND ECOLOGICAL WAY

- Don't rinse your dishes under running water before placing them in the dishwasher
- Run the appliance only when it is full, because only like this the process becomes economical and respects the environment.
- Always choose a programme that is adequate for the kind of dishes you want to wash and that corresponds to how dirty they are
- You should avoid to use too much detergent, dishwasher salt, and rinse aid. Refer to the dosages recommended in the usage instructions provided by the manufacturers of these substances.
- Make sure that the water softness regulator is set correctly.

3.2 DISHES NOT TO BE WASHED IN THE DISHWASHER

You must not wash in this appliance:

- Cutting boards or small containers in wood
- Plastic objects that are not heat resistant
- Lead crystal
- Objects made from tin or copper
- Dishes or cutlery with glued components
- Old cutlery with heat sensitive glue
- Steel objects that are oxidised easily
- Cutlery with handles in wood, horn, antler, porcelain, or mother of pearl.

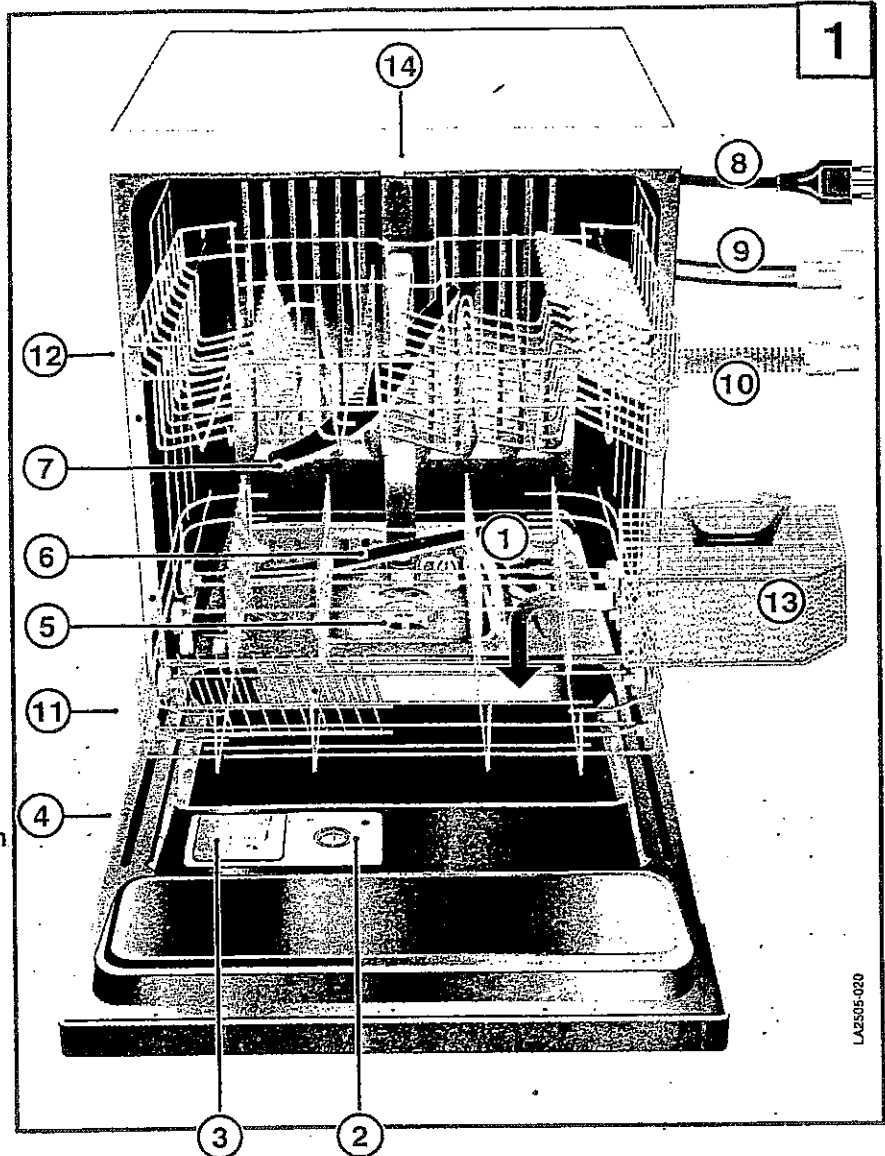


When purchasing dishes, cutlery, or glasses, make sure that they are dishwasher resistant.

4 DESCRIPTION OF THE APPLIANCE

4.1 GENERAL PARTS

- 1) salt container (IF PRESENT)
- 2) rinse aid container
- 3) container for detergent
- 4) data tag
- 5) filters
- 6) lower spray-rotor
- 7) upper spray-rotor
- 8) electric cable
- 9) water supply tube
- 10) water drainage tube
- 11) lower basket
- 12) upper basket
- 13) cutlery container
- 14) hook for door closing mechanism



LA2505-020

4.2 TECHNICAL DATA

capacity (standard settings): 12
 pressure of water supply system
 minimum pressure: 0.05 Mpa
 maximum pressure: 1 Mpa

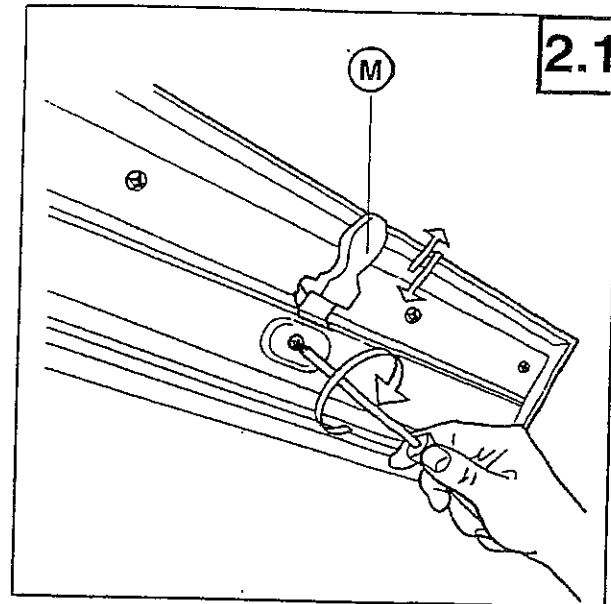
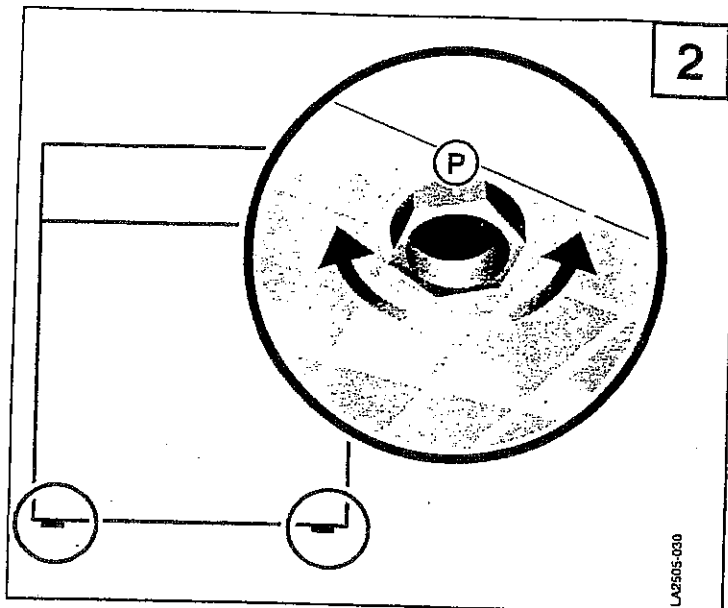


Attention: the necessary characteristics of the electric supply grid are indicated on the data tag.

0,05 - 1MPa	Model.	
A MAXW	
.....V.....Hz Made in EU		12

5 INSTALLATION

5.1 LEVELLING



Place the appliance in the spot where you want to install it. Use feet **P** (unscrew or screw in) to regulate (if necessary) the height of each foot to assure that the appliance is in a fully level position.

If the appliance is positioned in a level position, its correct functioning is assured.

Maximum error = 2 degrees

After levelling the appliance, regulate the hook of the door closing mechanism, to assure that the door closes perfectly.

In order to obtain a perfect seal adjust the door locking device but only after having levelled the machine in its final installation position.

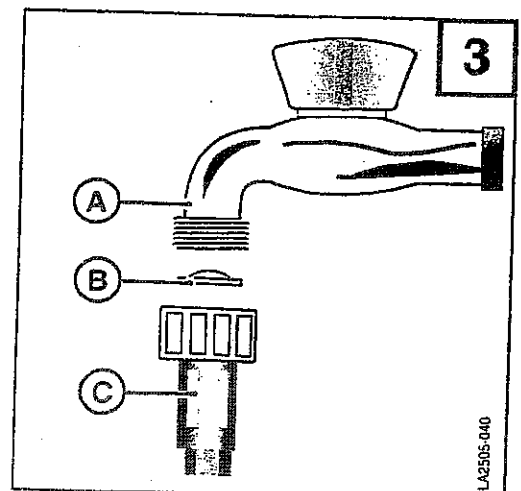
5.2 WATER CONNECTION

The water supply tube **C**, which accompanies the dishwasher, makes it possible to connect the appliance to a faucet with a 3/4" attachment.

During the installation, the following instructions must be followed:

- Attach tube **C** to the cold water faucet **A**; place filter **B** (supplied with the appliance) between tube and faucet.
- If the tube is being attached to new pipes that have not been used for a long time, you should let the water run for some time before attaching the tube in order to make sure that dirt and rust residues are eliminated.
- Make sure that the water pressure corresponds to the range indicated on the data tag.

The appliance may be connected to the cold water system. It must not be connected to the hot water system.



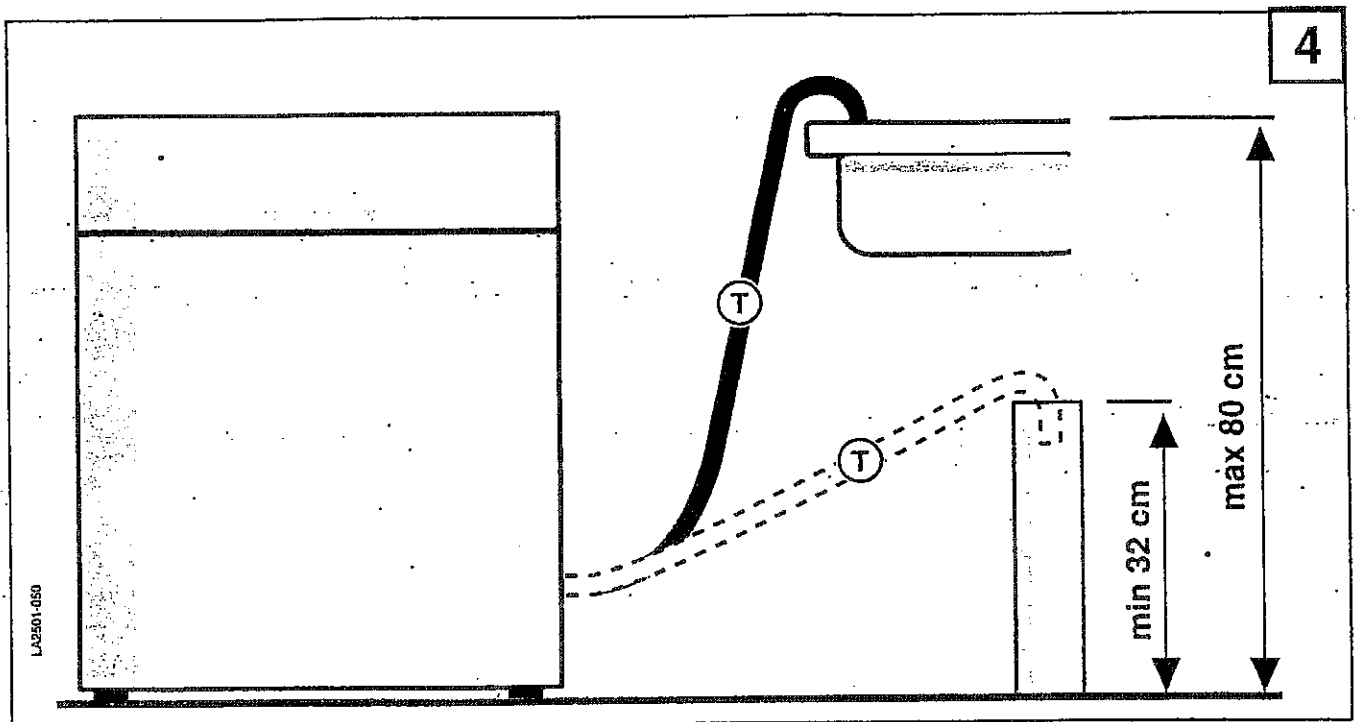
5.3 CONNECTION OF DRAINAGE WATER

The curved end of drainage tube T, which is being supplied with your appliance, should be hooked onto the edge of a sink or into a drainage pipe.

A special siphon should be used to prevent bad odours.

During the assembly, the following precautions should be taken:

- the drainage tube must not be bent to avoid blockages;
- the tube's end, relative to the top surface of the dishwasher (fig. 4), must be placed at a height between 32 and 80 cm;
- the end of the tube must never be immersed in water;
- the drainage tube must not be extended to more than a maximum length of 1 metre. The extension must have the same internal diameter. Furthermore, the maximum height at which the tube's end can be placed (in the case of an extended tube) must be reduced from 80 to 50 cm.
- If you use a drainage pipe, make sure its internal diameter is not inferior to 4 cm.



5.4 ELECTRIC CONNECTIONS

The appliance may only be connected to a properly installed electric outlet with an earth (ground) contact. The connection must be carried out in correspondence with existing laws and regulations and supplementary rules issued by the supplier of electric power.

The tension shown on the data tag must correspond to the power tension of the electric grid at the site of installation.



See data tag for the size and format of the electric outlet to be used.



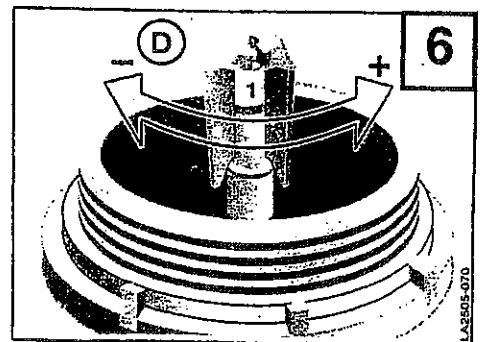
Use only special dishwasher salt. Other types of salt (e.g., regular household salt) often contain substances that do not dissolve completely in water and can therefore obstruct the water softener, thus making it unusable.

Regulation of the water softener system (IF PRESENT)

For the washing process it is better to use soft water (with a low calcium content), to avoid calcium deposits on the dishes and on the inside of the dishwasher. For this reason, the appliance is equipped with a water softener (fig. 6) which is automatically regenerated in regular intervals thanks to the saline solution. The salt consumption for the regeneration process depends on the hardness/softness of the local water that is being used.

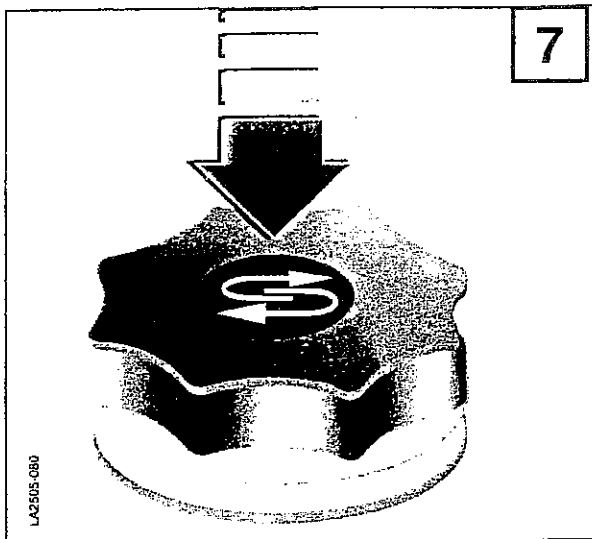
To find out the degree of hardness of your water contact your town administration or use a commercial testing kit.

To guarantee an optimal regeneration of the softener it is necessary to set device **D** according to your local hardness (see table) and to make sure that the salt container is always filled with special dishwasher salt.



Position of regulation device	French degrees 'dH	German degrees 'dH
1	<15	<8,4
2	>15 <25	>8,4 <14
3	>25 <40	>14 <22,4
4	>60 <90	>33,6 <50,4

>=higher/<=lower

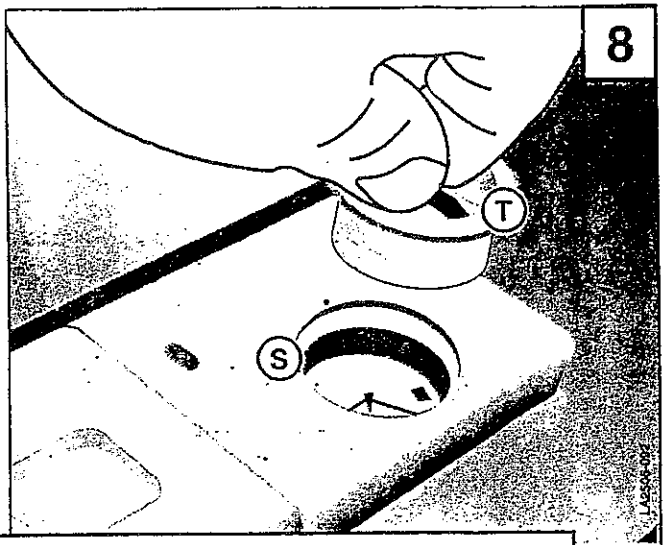


Indication of salt level (IF PRESENT)

The green mark under the cap indicates that there is still enough salt in the container. If the green mark is no longer visible, the salt container needs to be refilled with special dishwasher salt.

Refilling of rinse aid

The rinse aid, which is released automatically during the final phase of the wash cycle, guarantees that the dishes dry quickly and prevents the formation of stains and calcium sediments.



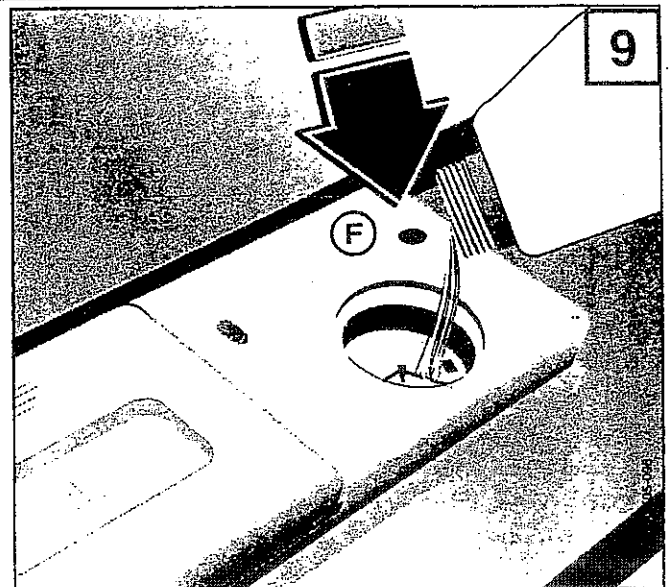
Only use rinse aids for dishwashers. Other products won't obtain the desired effect.

The rinse aid container S is located on the inside of the door.

- Remove the container cap T by turning it _ revolution anticlockwise.
- Fill container with rinse aid up to the broken line. Maximum quantity: about 140 ml.
- Put the cap back in its place.
- Clean off possible residues of rinse aid with a cloth, otherwise too much foam might be produced during the rinsing process.

Indication of rinse aid level

More rinse aid needs to be added when the indicator (located on the container F) is clear (●). When the container is full, the indicator has a dark coloration.



7.4 CLEANING OF THE DISHWASHER'S EXTERNAL SURFACES

The dishwasher's surfaces (made of metal, and in the front of plastic) must be cleaned periodically. Use a clean and soft piece of fabric. Never use acids or abrasive detergents.

If you don't use the appliance for long periods of time

If the dishwasher is not being used for extended periods of time, you should proceed as follows:

- run the pre-wash programme twice
- remove the electric plug from the outlet
- disconnect the water supply tube
- leave the door slightly open to avoid the formation of bad odours.

8 WHAT TO DO IN CASE OF MALFUNCTIONS

You should first check whether it is possible to rectify some minor problems yourself. Follow these instructions. If you are unable to identify or remove the problem, you should contact the technical client assistance service.

- **The programme does not start**
 - Are the internal fuses broken? Is the dishwasher connected to the electric supply system?
 - Is the door closed properly? Press on the door to close it completely.
- **No water enters the appliance**
 - Is the water faucet open?
 - Is the filter between the faucet and the water supply tube obstructed? If so, clean the filter.
 - Is the water supply tube obstructed? Check the tube.
- **The programme indicator does not move on from its starting position**
 - Is the water faucet completely open?
 - Is the filter between the faucet and the water supply tube obstructed? If so, clean the filter.
 - Is the water pressure lower than 0.05 Mpa?
- **The used water is not removed from the dishwasher**
 - Is the waste disposal tube obstructed? Check the tube.
 - The siphon is obstructed? Check the siphon.
- **The dishes are not clean after washing them**
 - Did you choose an appropriate programme for the type of dishes and the degree of dirt you are dealing with?
 - Are the dishes arranged in a way that allows the water-jet to reach all their surfaces?
 - Are the dishwasher's baskets overloaded?
 - Are the spray-rotors blocked by a dish or some cutlery?
 - Are all filters at the bottom of the dishwasher clean? Are they all in their correct position?
 - Did you add the correct amount of detergent?
 - Is the water discharge tube connected properly?
- **The dishes do not dry or they remain opaque**
 - Is there any rinse aid left in the appropriate container?
- **Glasses and dishes show the formation of lines, spots, and stains or a shiny blue coloration**
 - During the rinse process too much rinse aid is being released. Adjust the rinse aid release.
- **Glasses and dishes show stains of dried water**
 - During the rinse process too little rinse aid is being released. Adjust the rinse aid release.

Please note:

The appliance was tested and checked by the manufacturer. As a consequence, you may find some traces of water inside. These will disappear after the first use.

Regulation of rinse aid dosage

The regulation **R** of the quantity of rinse aid that is released can be found in the refill opening of the rinse aid container.

It can be adjusted with a screwdriver. The possible settings range from 1 to 4. 1 corresponds to a release of one ml of rinse aid, 4 to four ml, etc. The appliance has been set on 2 (two ml) by the manufacturer.

A full rinse aid container is sufficient for about 50 wash cycles. The quantity of rinse aid to be released should be adjusted when the result of the wash process is not satisfactory.

- Always wipe off with a cloth any rinse aid that spilled over from the container.

It is important to check the level of rinse aid in the container periodically – if possible every 31 wash cycles.

Adding the detergent

IMPORTANT! Do not use detergents in this dishwasher that are made for dish washing by hand! These substances produce large quantities of foam but they do not clean the dishes in a dishwasher. They can even lead to a malfunctioning of the appliance.

You should therefore only use detergents that are specifically made for household dishwashers.

Keep your detergent containers closed and in a dry place.

Only when you use the pre-wash programme no detergent is needed.

During a programme the detergent is automatically taken from the detergent container.

We recommend the use of about 25 g of detergent.

Detergents vary in their strength and efficiency.

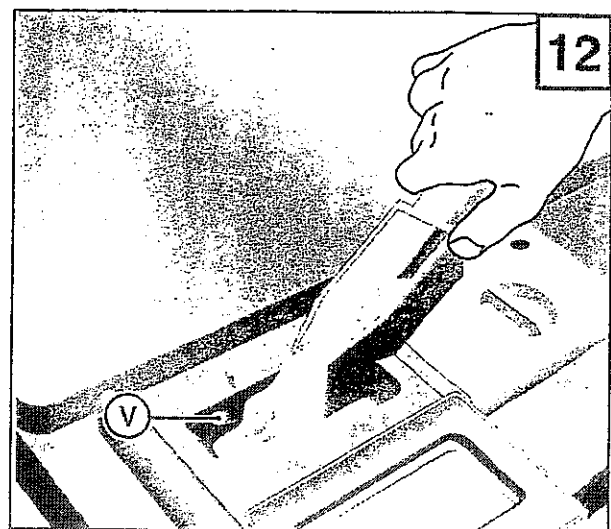
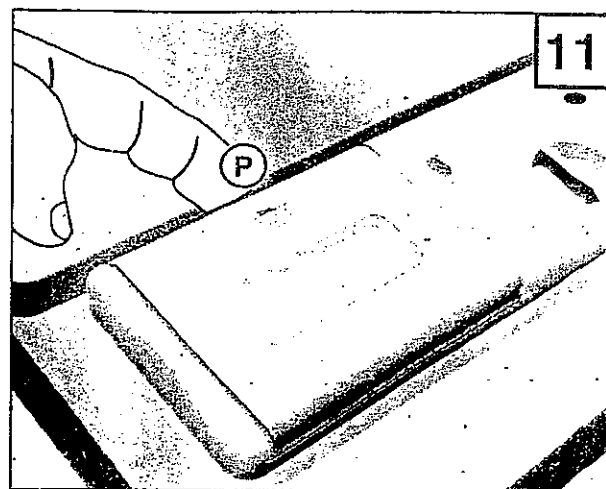
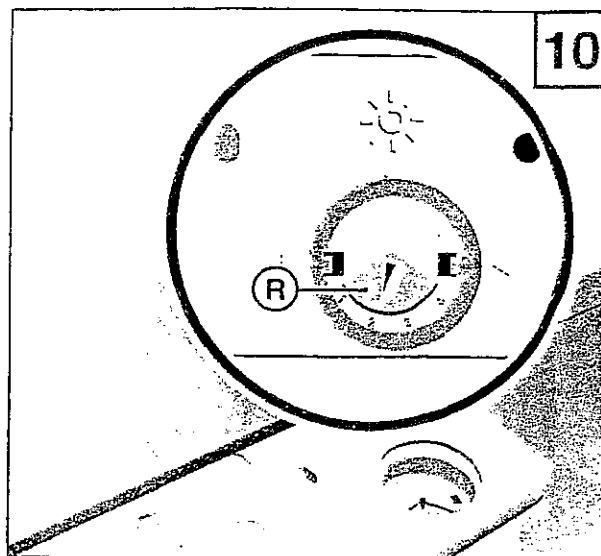
You should therefore pay attention to the dosage recommendations of each manufacturer.

The container for the detergent is located on the inside of the door.

If the lid is closed:

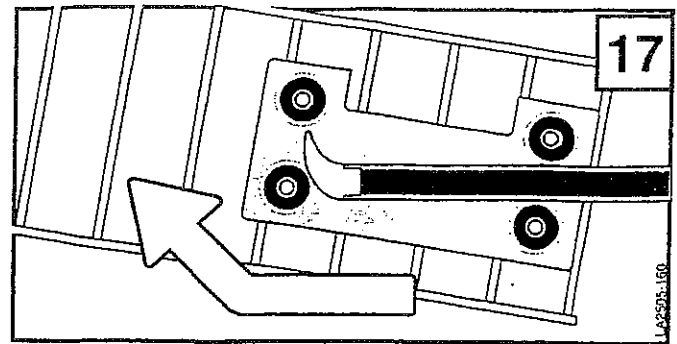
- Push forward closing mechanism **P**. The lid will open with a "click".
- Fill the detergent into the container **V**.
- To close the lid, press until you hear a closing "click".

If your dishes are exceptionally dirty, you can also fill some detergent into the indentation of the lid. In this case, fill the indentation up to the edge. This detergent will be available and active during the pre-wash phase.

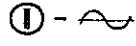
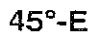
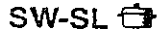

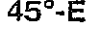
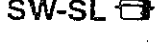


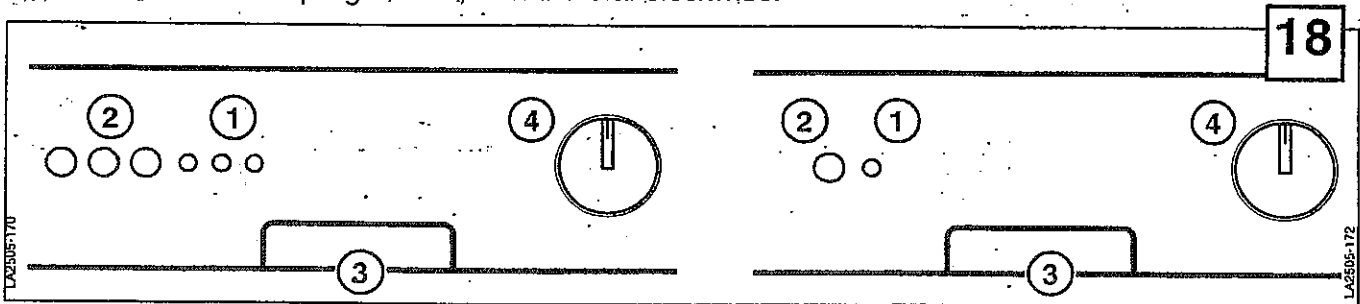
Pulling out the upper basket

The upper basket can be pulled out and removed as shown in the figure.



Description of control buttons and indication lights

- 1) Control light
- ① -  It is illuminated when the appliance is turned on.
- 45°-E  It light up when the button is pressed.
- SW-SL  It light up when the button is pressed.
- 2) Buttons
- ① -ON/OFF  On/Off – Press this button to turn on the appliance.
- 45°-E  Press the button to activate a wash at 45°.
- SW-SL  Press the button to activate the Super Wash (special wash for pans).
- 3) Door handle
- To open pull forward (an electric safety mechanism turns off the machine when the door is being opened).
- 4) Programme selection dial
- It is used to choose a wash programme (see programme table). To select the desired programme, turn the dial clockwise.



Start

After checking the quantities of rinse aid, open the water faucet completely, place the dishes in the baskets, fill detergent into the detergent container and add also detergent for the pre-wash (if necessary); then close the front door.

Now proceed as follows:

- Turn the programme selection dial 4 clockwise (fig. 18) until the number of the desired programme coincides with the line on the dial.
- Press the button on/off. Now the control light should be turned on to indicate that there is a supply of electricity. The appliance will now automatically perform all steps of the pre-chosen programme. After the cycle is over, the dishes do not need to be dried by hand- they are being dried automatically. The dishes can now be taken out or can stay inside the dishwasher until they are needed.
- **Drying at the end of the cycle is carried out with cold water and there is a 15' lapse of time. Don't open the machine until the knob indicator has reached the stop position.**



Do not open the appliance after a programme has been initiated.

Stop

After the wash cycle, the dishwasher stops automatically, while the electricity control light remains illuminated. To turn it off, press the button on/off. After each wash cycle, the water faucet must be closed to insulate the appliance from the water supply system.

Table of wash programmes

Programmes	Programme number	ON OFF	45° - E	H-Sw. Super Wash	pre-wash	wash	Dishes and degree of dirt	Programme descriptions
Rinse & Hold	1	•					Pans and dishes until the next wash cycle	Short cold wash to prevent food residues from drying up and forming crusts on the dishes
Heavy	2	•		•	•	•	Very dirty pans and dishes (except delicate pieces)	1 warm Pre-wash - Main wash 2 rinse (1 cold - 1 warm) Drying
	2	•	•	•	•	•		1 warm Pre-wash - Economy wash 2 rinse (1 cold - 1 warm) Drying
	2	•			•	•	Very dirty dishes (except delicate pieces)	1 cold Pre-wash - Main wash 2 rinse (1 cold - 1 warm) Drying
	2	•	•		•	•	Normally soiled load (except delicate pieces)	1 cold Pre-wash - Economy wash 2 rinse (1 cold - 1 warm) Drying
Normal	3	•				•	Very dirty dishes	Main wash 2 rinse (1 cold - 1 warm)*Drying
	3	•	•			•	Very dirty dishes (except delicate pieces)	Economy wash 2 rinse (1 cold - 1 warm) Drying
Rinses	4	•					Pans & dishes	1 cold rinse - 1 warm - Drying
Economy 1	5	•	•		•	•	Pans & dishes	1 cold Pre-wash - Economy wash 2 cold rinse
	5	•			•	•	Pans & dishes	1 cold Pre-wash - Main wash 2 cold rinse
Economy 2	6	•	•			•	Pans & dishes	Economy wash - 2 cold rinse
	6	•				•	Pans & dishes	Main wash - 2 cold rinse

How to load and unload the dishwasher

There are two dish baskets that allow you to store all different kinds of dishes.

- Remove from the dishes any larger pieces of food to avoid an obstruction of the filter and the development of bad odours.
- If pots and pans are particularly dirty and contain crusts of food (after frying or roasting), soak them in a water bath before washing them in the dishwasher.

Use of the lower basket

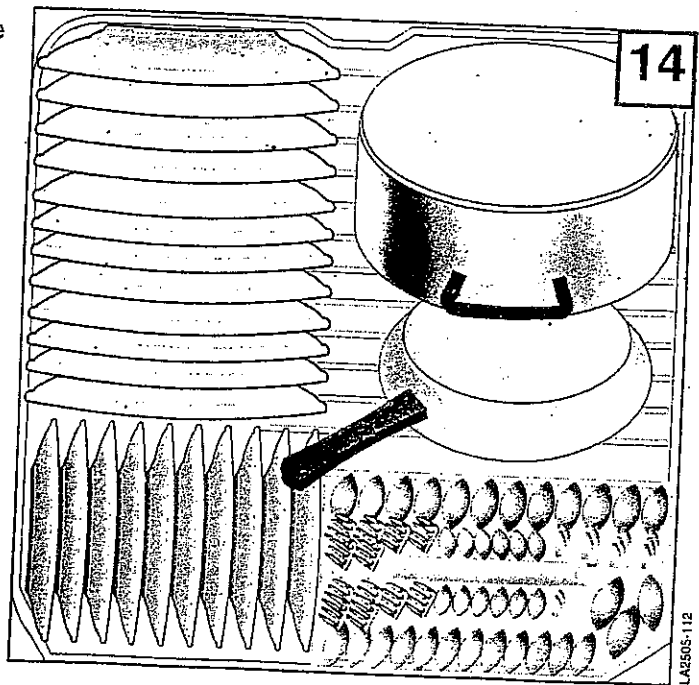
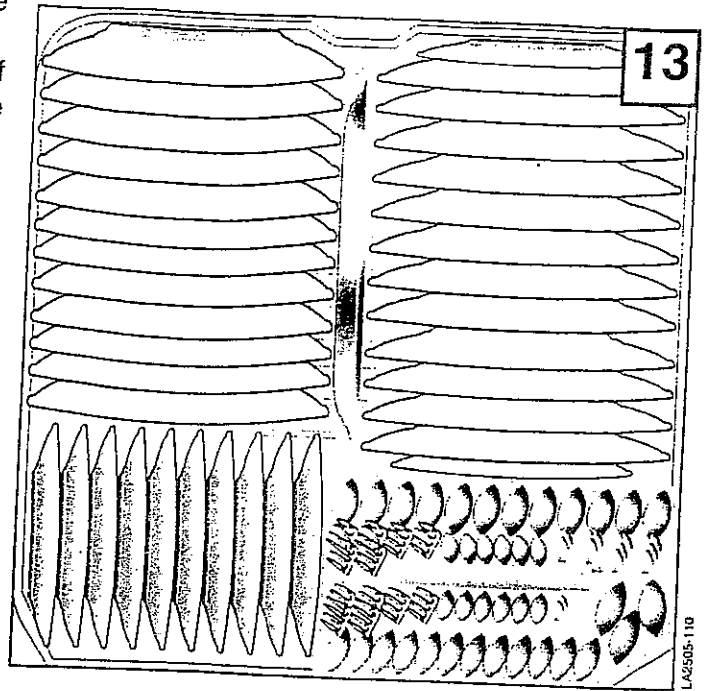
The lower basket is intended to hold dishes that are more difficult to clean, as well as the cutlery basket.

The lower basket holds regular plates, soup bowls, pans, soup tureens, lids, and serving dishes. Flat and deep plates must be placed in a way that leaves some space between the individual plates.

All plates must be in a vertical position so that the water can pass freely.

Pans and pots must always be placed upside down.

You can choose any kind of loading configuration, but you should make sure that the dirtiest surface of dishes, pots and pans faces the water spray and that the water can flow off without hindrances.



Cutlery

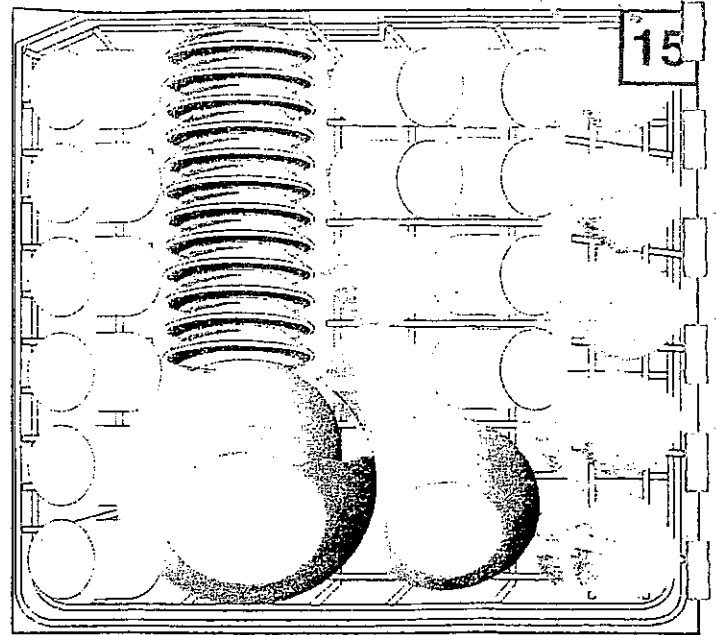
For best cleaning results, cutlery should be inserted with its handles facing down. Spoons, forks, and knives must be placed in the specific areas of the cutlery basket that are designed for them.

ATTENTION:

Particularly long cutlery, specifically "long knives", should not be positioned pointing upwards but should be placed horizontally in the top tray or washed by hand.

Use of the upper basket

The upper basket can be pulled out all the way. It holds small and medium sized dishes such as glasses, small plates, tea and coffee cups, small salad bowls, and small pans and pots that are not very dirty. Desert plates must always be placed vertically; glasses, cups, pots and pans must be placed upside down. Light dishes should be held by a support structure so that they don't get thrown around by the water jet. An optimal arrangement of dishes inside the dishwasher will guarantee best washing results, allowing the appliance will be able to develop its full effectiveness.



LA2505-120

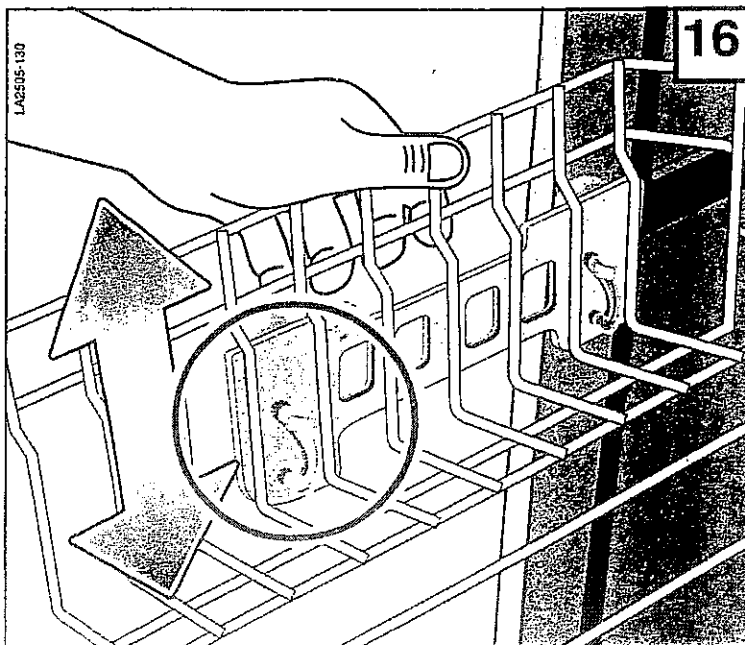


Because of the elevated temperature of the water used to wash the dishes and of potential chemical reactions with the detergent, it is recommended not to wash copper or aluminium dishes, cutlery with wood or horn handles, delicate porcelains, or non heat resistant glass or plastic dishes in the appliance. If you possess decorated porcelain, you should test one single piece to make sure that the décor is not being damaged or altered.

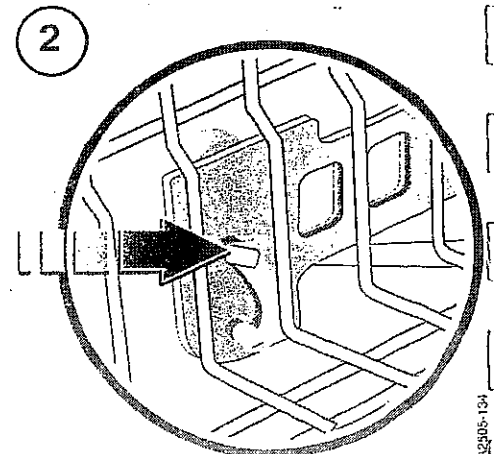
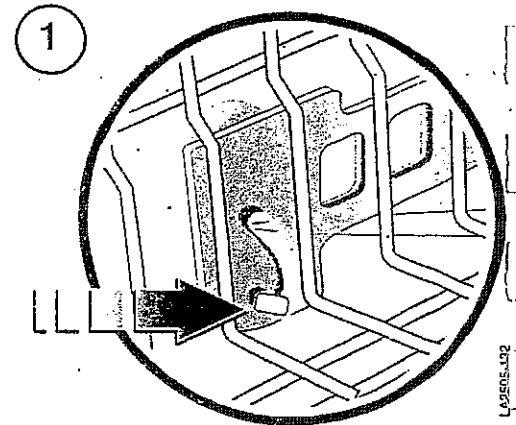
Height regulation of the upper basket

Use the handle on the side (only on left) to regulate the basket's height and inclination.

- 1 regulation of horizontal position
- 2 regulation of inclination



LA2505-130



LA2505-132

LA2505-134